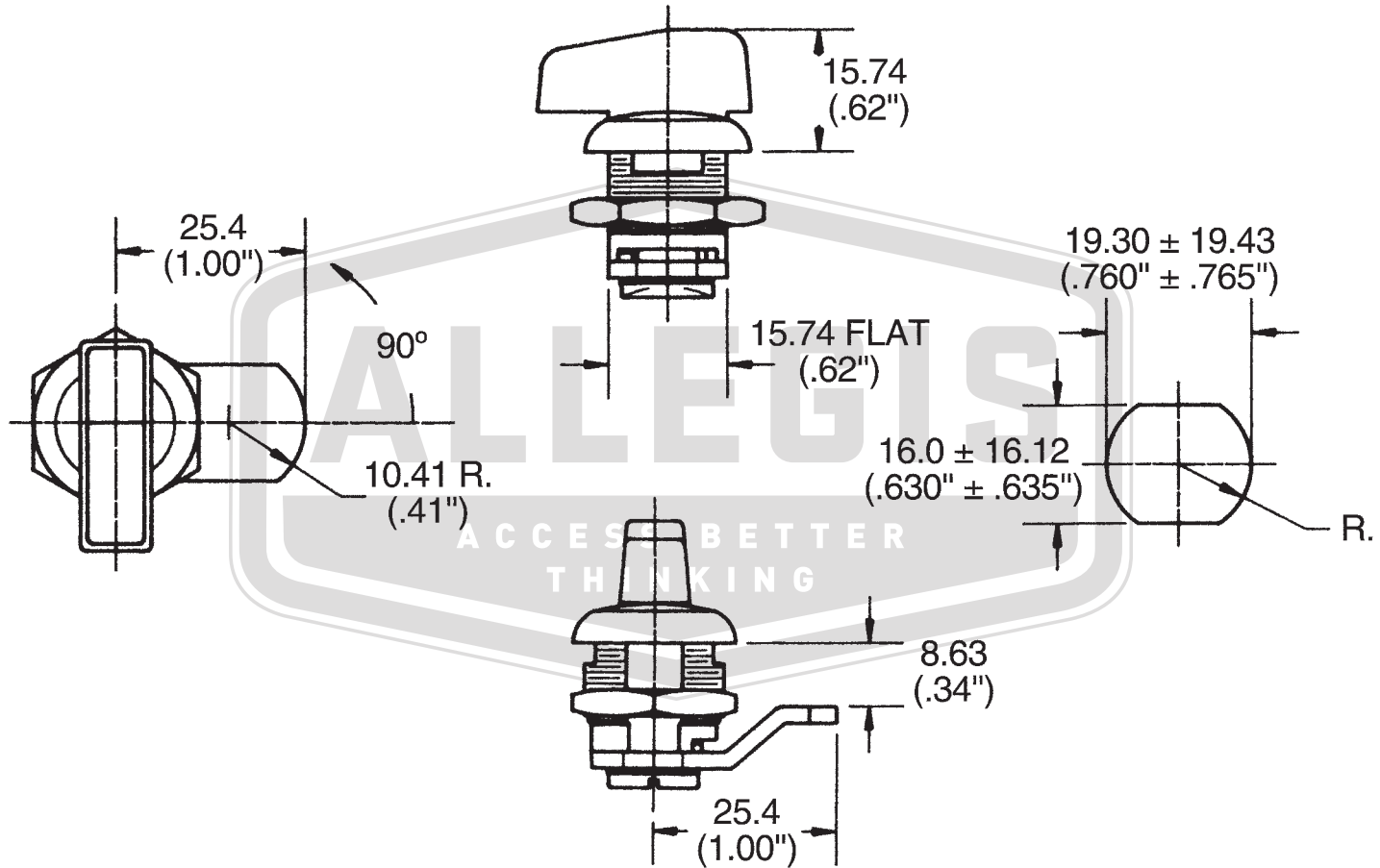


APPROVAL - CUSTOMER NAME & SIGNATURE

DATE



**ALLEGIS**

1-866-378-7550

MATERIAL:

DRAWING NO. :

522C NI

FINISH:

Black

REV.:

1:1

DATE:

6/12/2019